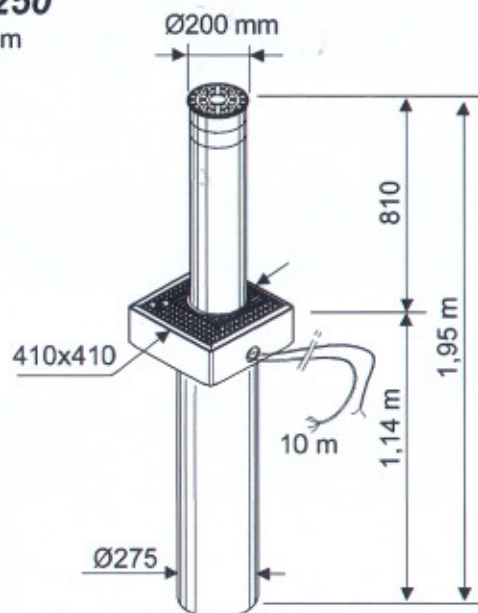


VIGILO® 2250
Stroke 500mm



VIGILO® 2280
Stroke 800mm

GB

Model
Registered

Vigilo is an electro-hydraulic post for traffic control. The motor pump is incorporated and pre-connected. This makes the unit easier to install. The cylindrical post is made of steel, has a diameter of 200 mm and can be commanded to rise from the ground level or lower by remote control. Two options are available: Vigilo 2250 having a Ø200mm post, 500mm stroke; and Vigilo 2280 having the same post diameter, ie. Ø200mm, but stroke is 800mm. All the essential component parts (motor pump and hydraulic actuator) are inside the location enclosure, which is made of cathaphoresis treated steel, a special treatment to prevent rust, and designed to be sunk into the ground. The up and down movements are carried out by the piston shaft, directly connected to the top of the post from inside the unit.

The post is pre-connected and pre-set to operate as designed for and is ready to be fitted, once completed the electrical connections of the electric motor and limit switch Rising to the electronic control board; 10 m cables are provided with the equipment to this purpose. Once the post has been driven to the upper limit stroke, the motor is stopped by means of a water-tight, fully sealed limit switch (limit switch Rising),

on descending the motor is stopped when the post reaches the end of the permitted down stroke. The connections between the motor pump assembly, positioned in the front side of the automation, and the hydraulic actuator are by means of rigid copper pipes completely inside the foundation housing. A shaped spanner is supplied with the post to over-ride the hydraulic circuit in the pump inside the enclosure and to lower the unit by hand if required. The cover of the square enclosure is designed to remain clear of standing water or other fluids.

A brim is fitted to protect the top edge of the post.

Hydraulic Pump Assembly

Hydraulic pump	P10
Pump flow rate	4.45 l/min.
Average working pressure	2 MPa (20 bars)
Max. working pressure	4 MPa (40 bars)
Working temperature	-20°C + 80°C
Hydraulic oil type	OIL FADINI A15 by AGIP
Static weight of pump assembly	10 Kg
Pump protection standards	IP 54

Electric motor

Power yield	0,25 KW (0,33 HP)
Supply voltage	230 V
Absorbed current	1,8 A
Frequency	50 Hz
Absorbed power	330 W
Capacitor	20 µF
Motor revolutions	2'800 rev/1'
Service mode	S 3

Performance Vigilo 2250 (stroke 500mm)

Duty cycle	4s Opening - 30s Dwell - 4s Closing
Time of one complete cycle	38s
No. of complete cycles Open - Dwell - Close:	95/hour
No. of cycles per year (8 hours' service per day):	270'000

Performance Vigilo 2280 (stroke 800mm)

Duty cycle	6s Opening - 30s Dwell - 6s Closing
Time of one complete cycle	42s
No. of complete cycles Open - Dwell - Close:	85/hour
No. of cycles per year (8 hours' service per day):	245'000

Hydraulic actuator

Piston travel time Vigilo 2250	4s
Piston travel time Vigilo 2280	6s
Service stroke Vigilo 2250	500 mm
Service stroke Vigilo 2280	800 mm
Shaft diameter	16 mm
Piston diameter	30mm
Max. power Opening	280 daN
Protection standard complete	IP 557

Static weight Vigilo 2250 (stroke 500mm)	102 Kg
Static weight Vigilo 2280 (stroke 800mm)	131 Kg
Colour Vigilo 2250 - Vigilo 2280	Dark metal grey

